

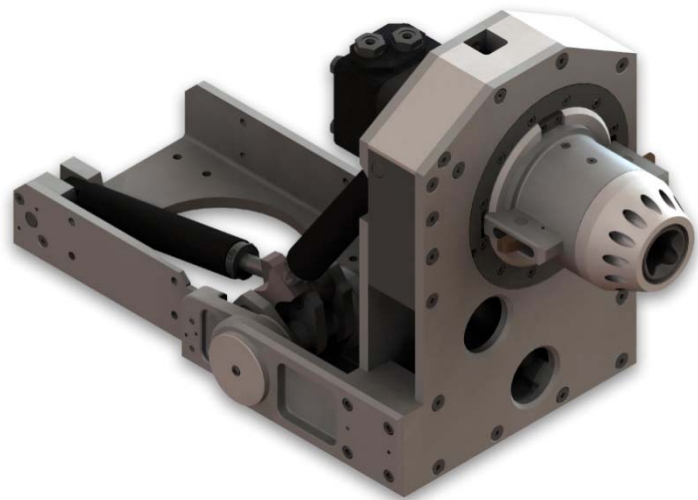
Upright Flying Lead Orientation Tool

The FLOT tool is designed to operate in conjunction with a torque tool and is used to orientate and guide flying leads into the stab plate connections. The FLOT tool is designed to take the PSS Class 1-4 torque tool, but can easily accommodate similar tools from other manufacturers. A dual link ram actuator in the base of the tool allows a pitch alignment of plus or minus 90 degrees with a load of up to 65 (143lbs) attached. The tool is also equipped with a roll alignment function giving a rotation of plus or minus 15 degrees.

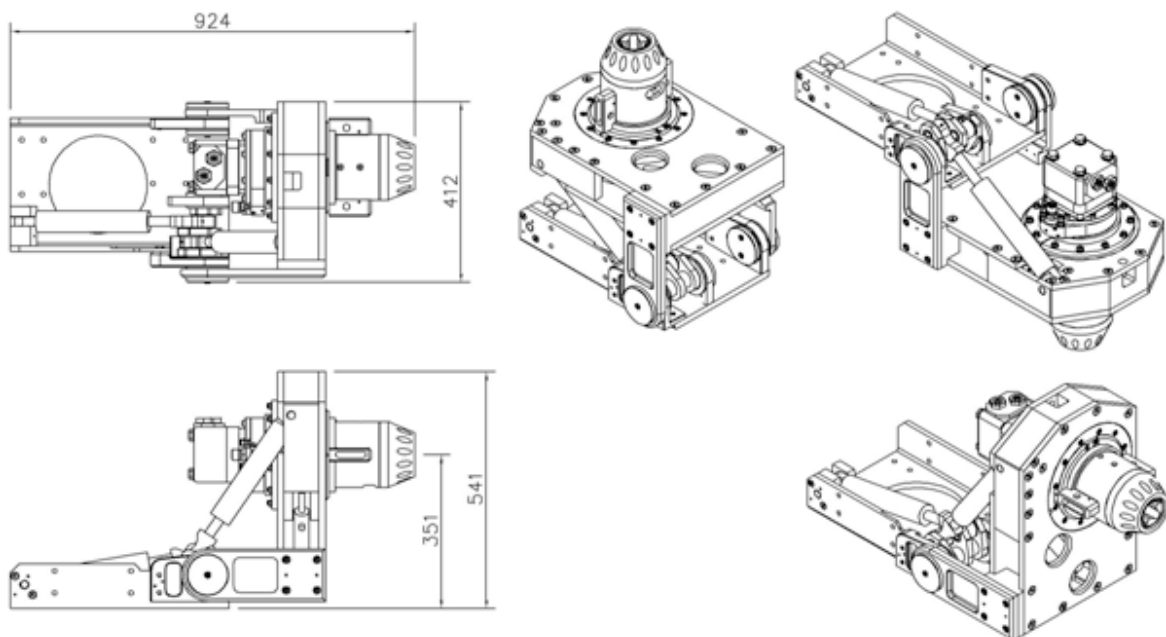
The FLOT tool is compact and the tool mounting base is supplied with a selection of mounting holes for mounting within the forward structure of the ROV. The pitch and roll actuators are controlled from the ROV's spare directional control valves.

Features

- +/- 15 Degree roll angle
- +/- 90 Degree pitch angle
- Counterbalance Valve on Pitch Rams



Drawing



Specifications

Length:	670 mm
Width:	540 mm
Height:	470 mm
Weight in air/water:	57 kg/37 kg (excl torque tool)
Pitch:	+/- 90 degrees
Rotation:	+/- 15 degrees
Payload Capacity:	65kg (143lb) mounted on tool, through full range of travel.
Hydraulic control from ROV:	Two off bi directional solenoid control valves plus drain
Operating Fluid:	Hydraulic Oil
Operating Pressure:	207 bar (3000 psi)
Materials	
Main body of tool:	Anodised Aluminium
Roll linear actuator parts:	Stainless steel
Torque tool clamp:	Acetal

Data Sheet: A001-350-076 issue 2

The specification details are illustrative for marketing purposes only. Actual equipment may be different as a result of product improvement or other reasons. Specific interface and performance information should be reconfirmed at time of order placement.

