

# Docking Latch

The docking latch is used to stabilise an ROV work skid to an interface. The most common applications are Tool Deployment Units (TDUs) to subsea wellheads and work class ROV docking to subsea tooling packages such as pipeline connection systems. The unit is robust and has easily replaceable fingers and nose cones.

The interface conforms to ISO 13628-8 fig 3. The interface hole is 90mm diameter - this is the most common standard in use. (Perry Slingsby also has a 104mm diameter latch to special order only).

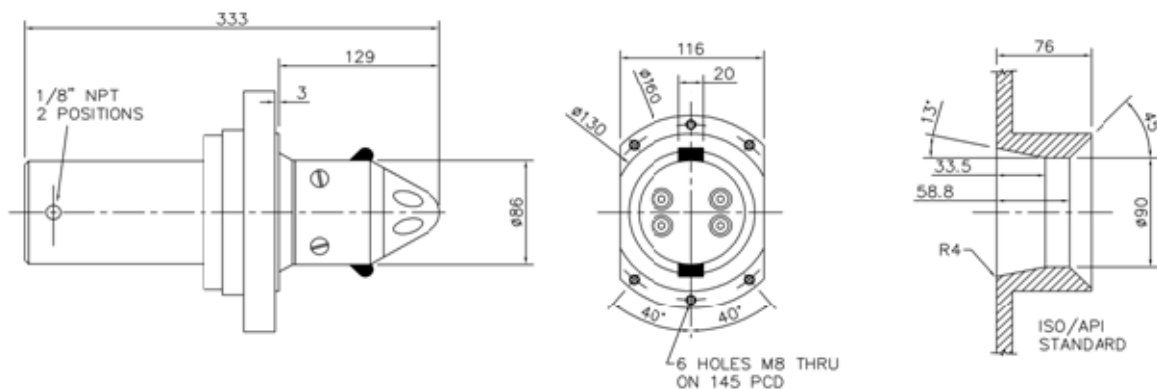
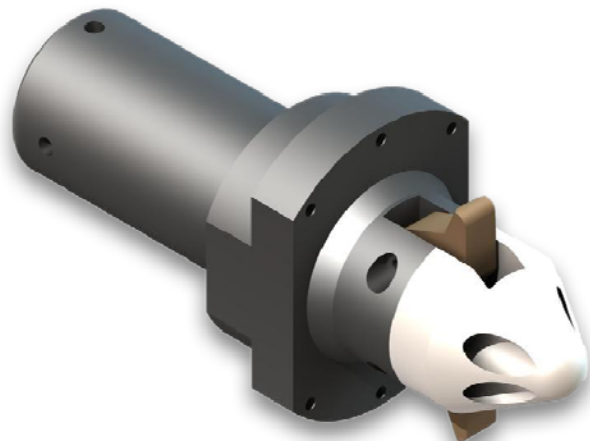
The latch is operated by a hydraulic cylinder, which strokes forward to push out two latch fingers. The latch fingers pivot on pins and positively pull the latch hard into the docking receptacle.

The fingers can be driven in and out by hydraulics but there is also an internal spring to ensure that the latch fingers self-release if all hydraulic power is lost.

The latch will hold up to 3000kg of axial load. The latch fingers will release beyond 3 tonnes, generally without any damage providing the hydraulic circuit is not blocked.

## Features

- 3000kg Capacity
- ISO 13628-8
- Positive Pull-in Action
- Spring Balance
- Ideal for TDU's & Toll Skids





Docking probes on a TDU

## Specifications

Maximum Operating Pressure:	207 bar (3,000 psi)
Hydraulic Fluid:	Most fluids including oil and water glycol
Axial Pull (Max):	3000 kg
Weight in air/water:	10 kg/ 7 kg
Standard Materials:	
Cylinder:	Steel
Body:	Anodised Aluminum
Fingers:	Stainless Steel
Nose:	Acetal

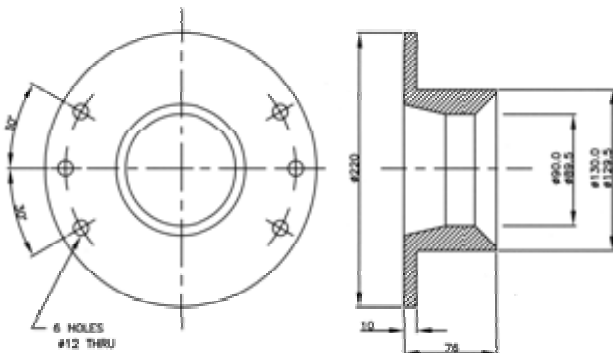
Data Sheet: A001-350-002 issue 7

## Options

- Short body, no springs (as pictured below)
- Stainless Steel Version
- Rear Status Indicator Rod



## Receptacles



ISO compliant receptacles can be supplied in carbon or stainless steel in bare, painted or PTFE coated condition. Please ask for details.

The specification details are illustrative for marketing purposes only. Actual equipment may be different as a result of product improvement or other reasons. Specific interface and performance information should be reconfirmed at time of order placement.