

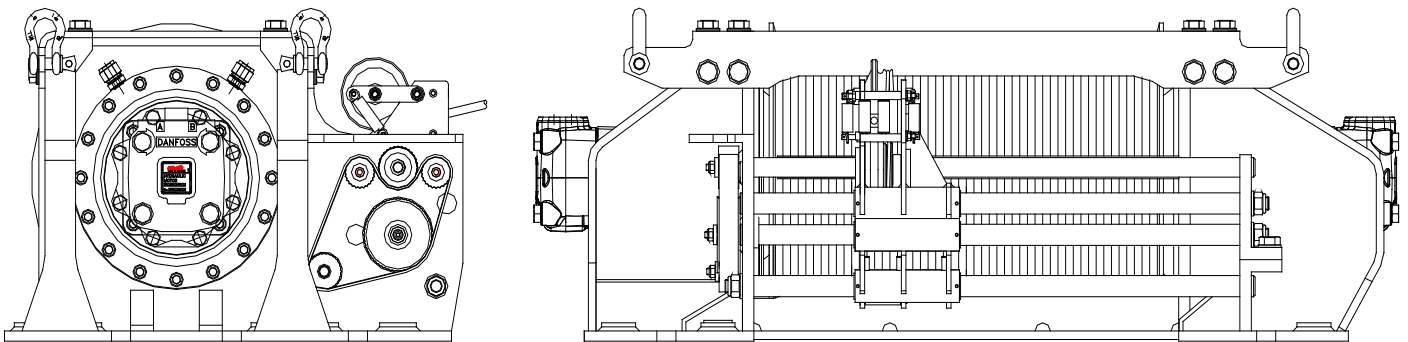
# Diver Operated Subsea Winch

A range of "Light Duty" compact and cost effective cable winches primarily for Naval use but can be adapted for other i.e. Intervention, Abandonment, Seismic and pipe connections.

The winch illustrated is holds 50m of 10mm diameter rope with rope speed up to 0.9m/s at 1000kg tension. It has a geared spooler, pinch rollers and automatic static brake. It is intended for situations with irregular load, line tension and fleet angle. An adjustable overload render function protects the winch from excessive external force.

The winch is mainly constructed from high quality steel coated with subsea paint. Any areas that are not painted are manufactured from either high strength Copper Nickel or Stainless Steel. The mechanism is suitable for long term immersion in seawater.

Two hydraulic control terminals are supplied. These have mutual lock-out to allow control from either.



## Features

- Compact Design
- Double Shaft Seals
- Single Handle Proportional Control
- Remote Control Station-with mutual lockout
- Low Noise-no more than 56 dB
- Shock Survivability



## Specifications

Cable Diameter-Nominal can be adjusted to suit:	10 mm
Capacity (10 mm rope):	50 m
Maximum Line Load Range:	0 kg to 1000 kg
Maximum Working Depth (Non Compensated):	600 mm
Drum/Carriage Rope Tension:	10 kg
Ambient Air Operating Temperature:	-29 °C to +40°C
Haul in Speed:	0 m/s to 0.9 m/s (54 m/min)
Weight in Air:	285 kg
Weight in Water:	245 kg
Hydraulic Pressure:	180-207 bar
Hydraulic Flow:	25 L/min

## Dimensions

Length:	1220 mm
Width:	600 mm
Height:	400 mm
Drum Length (between flanges):	500 mm
Drum Core Diameter:	340 mm
Drum Flange Diameter:	280 mm

Data Sheet: A001-350-066 issue 3

The specification details are illustrative for marketing purposes only. Actual equipment may be different as a result of product improvement or other reasons. Specific interface and performance information should be reconfirmed at time of order placement.

