

55kW – 75kW – 95kW Hydraulic Packs

These power packs are used on Perry Slingsby workclass and trenching ROVs. The electric motor is close coupled to a constant pressure hydraulic pump. The reservoir encloses the pump and has a stroke of 11 litres.

Three versions are produced. These are externally similar but have different electric motors. The 90kW pack is particularly suitable for operation under high load for very long periods (such as for ROV trenching systems).

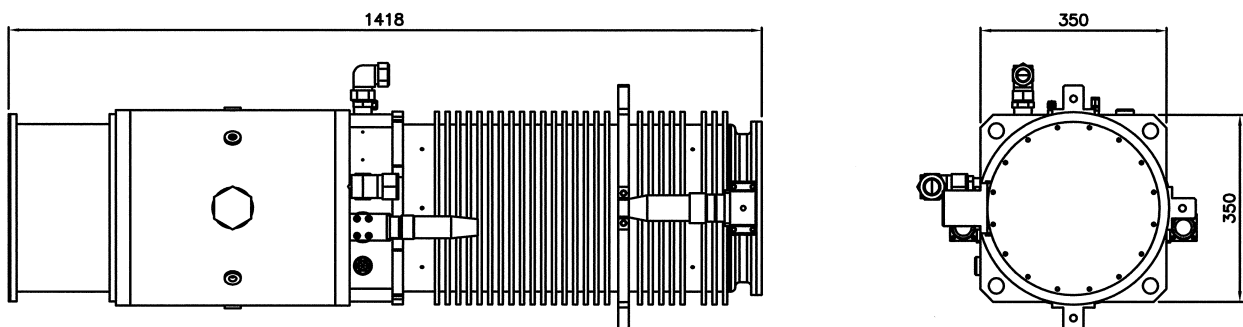
The power pack includes pressure relief valve, automatic hydraulic soft start valve, temperature sensor, reservoir volume sensor, system pressure transducer and hydraulic system water detector. All are housed within a cylindrical reservoir, incorporating a compensation unit generating a nominal pressure of 0.18 bar above ambient.

Features

- Combined Electric Motor, Hydraulic Pump, reservoir and Basic Controls
- Durable Units for Subsea Use



Details-95kw (55 & 75 Similar)



Applications

Please contact PSS for advice on using our power packs. Our design team can supply or advise on the complete power train including umbilicals and switchgear.

- Remotely Operated vehicles
- Cable burial systems
- Subsea pumping
- High power ROV workskids

PSS also have a 180 kW power pack available for higher power and a 5 kW power pack for smaller power– see separate datasheets.

Specifications

Max Power (Shaft):	55 kW	75kW	95kW
Max Hydraulic Supply:	120 lpm @ 230 bar	155 lpm @ 230 bar	165 lpm @ 275 bar
Nominal Current Full Power:	15 A	17.5 A	23.5 A
Weight in air/water:	285/175 kg	350/240 kg	370/240 kg
Electrical Power:	3-phase 3000V, 60 Hz		
Depth Rating:	3000 m		
Maximum Oil Volume:	56 Litres		
Reservoir Compensation:	11 Litres		

Data Sheet: A001-350-022 issue 6

The specification details are illustrative for marketing purposes only. Actual equipment may be different as a result of product improvement or other reasons. Specific interface and performance information should be reconfirmed at time of order placement.

