

High Flow Hot Stab (Non-ISO)

The high flow stabs have larger ports than can be created within the ISO Type A and B dimensions; however they use a similar, but enlarged, profile for optimum mating characteristics. In common with all PSS hot stabs, the male has a PTFE coating to minimize the risk of galling.

The minimum flow path is 12mm through all ports, giving a minimal pressure drop, even at flows above 50 lpm (13 gpm). Specific flow rates depend on fluid viscosity and temperature. The 3-port version is ideal for hydraulic operation of subsea winches where the third port can be used to take the drain return. Sealing check valves can be fitted externally.

The range includes dummy plastic stabs and pressure plugs and ports can be supplied to user preference. Working pressure is 207 bar (3000 psi) – higher pressure materials can be supplied on request.

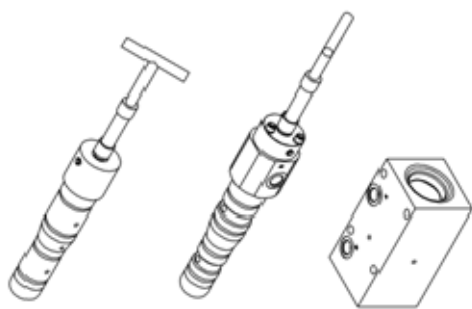
Features

- 3000 psi (207 bar)
- Very high flow
- Pressure balanced

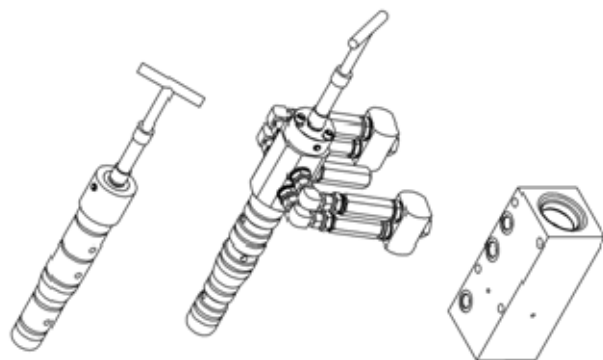


3-port with valves

Configuration



DUAL PORT VERSION

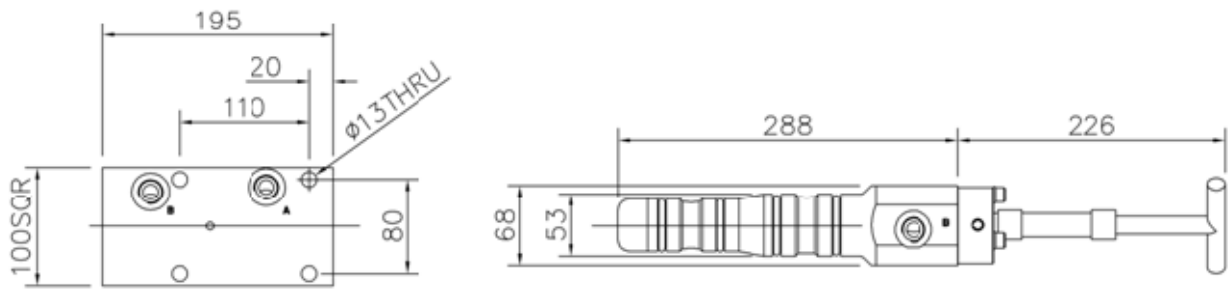


TRIPLE PORT VERSION



Dimensions

(Dual Port Version)



Specifications

Standard working pressure:	207 bar (3,000 psi)
Fluid:	Most hydraulic fluids including glycols
Weight:	circa 12 kg Female, 6 kg Male (dual port in air)
Port sizes:	All ports G1/2 (option 1/2" NPT)
Nominal Flow path:	All porting 12 mm diameter equivalent
Materials:	Stainless steel 316 and Duplex, Bronze nose

Data Sheet: A001-350-074 issue 2

Options

- Higher pressures 690 bar (10,000 psi) materials and seals
- Port threads to client preference

The specification details are illustrative for marketing purposes only. Actual equipment may be different as a result of product improvement or other reasons. Specific interface and performance information should be reconfirmed at time of order placement.