

2" Nominal Bore Hydraulic Hot Stab

The 2" nominal bore hydraulic hot stab is a scaled up version of the ISO 13628-8 Type A hot stab.

Two styles of male stab are available offering either 2" NPT or Weco hammer union connections. Pressure ratings of up to 415 bar available as standard.

Two styles of dummy are also available, a pressure dummy rated to 415 Bar with a t-bar handle to relieve any trapped pressure, and a plastic vented dummy.

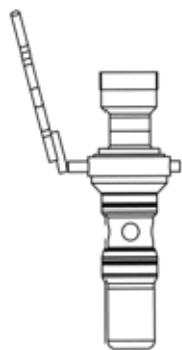
The pressure rated male stabs can be securely locked into the female receptacle by rotating the handle, protruding pins on the male lock into corresponding slots on the female receptacle.

Features

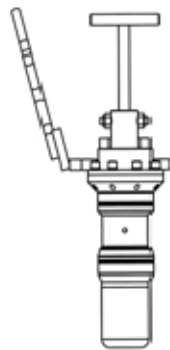
- 2" Nominal Bore
- High Flow
- Standard Working Pressure 150 bar
- Pressure Balanced



2" MALE STAB
2" NPT PORT



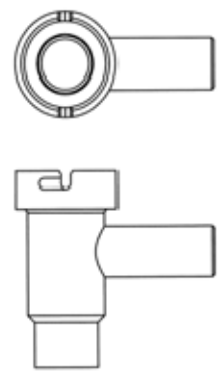
2" MALE STAB
WECO 1502 HAMMER UNION



2" MALE STAB
PRESSURE RELIEF DUMMY

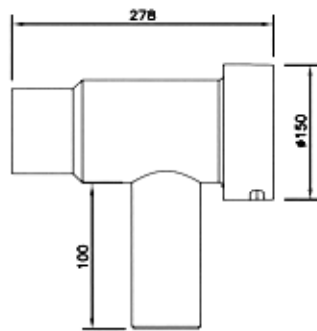


2" MALE STAB
VENTED DUMMY

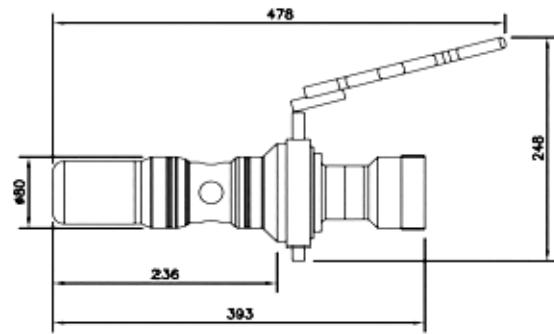


2" FEMALE RECEPTACLE





2" FEMALE RECEPTACLE



2" MALE STAB
WECO 1502 HAMMER UNION

Specifications

| | |
|----------------------------|--|
| Standard Working Pressure: | 150 bar (316 L) |
| Fluid: | 415 bar (Duplex Stainless Steel) |
| Flow Path: | Most hydraulic fluids |
| Materials: | Nominal path 50 mm diameter throughout Xylon coated Stainless steel 316L and Duplex |

Data Sheet: A001-350-069 issue 3

Options

- Alternative handles-any style to suit customer requirement
- Alternative body materials
- 415 bar seals

The specification details are illustrative for marketing purposes only. Actual equipment may be different as a result of product improvement or other reasons. Specific interface and performance information should be reconfirmed at time of order placement.